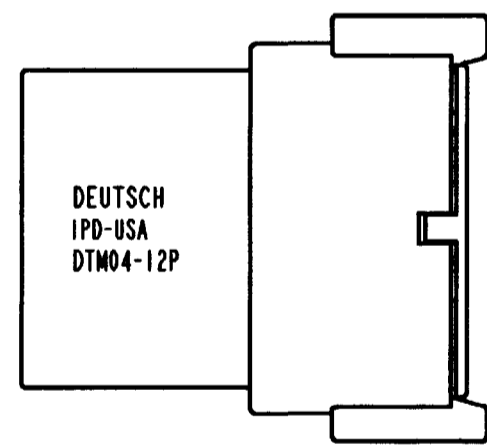
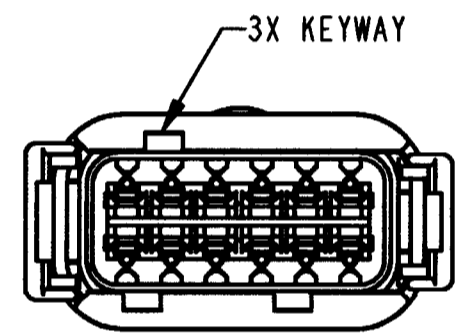
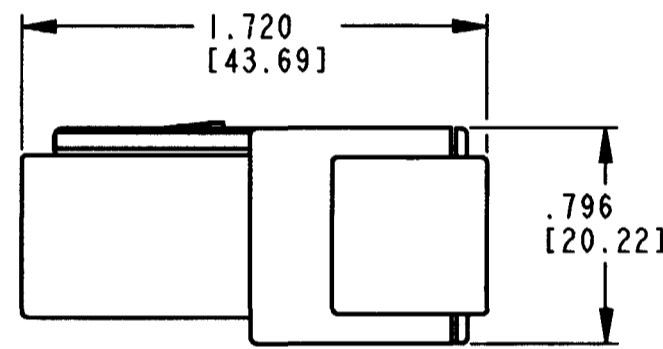
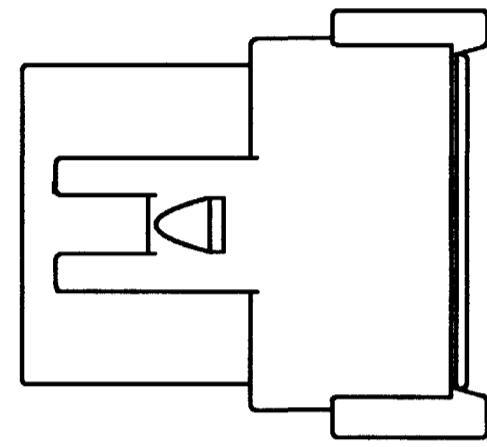
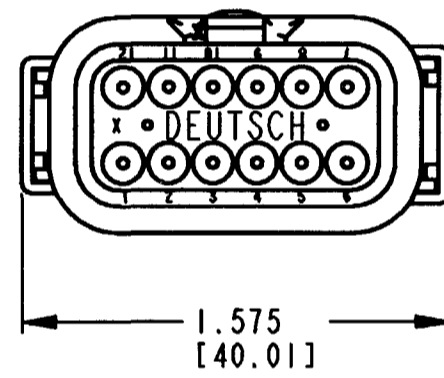


REV
NC

DTM04-12P*

REVISIONS

SYM	DESCRIPTION	DATE	APPROVED
NC	NEW RELEASE PER E.O. P18487	2-19-04	RDA



- 7. SEE SHEET 2 FOR OTHER KEY ARRANGEMENTS.
 - 6. MATERIAL - HOUSING: PLASTIC; GROMMET: RUBBER.
 - 5. THIS RECEPTACLE MATES WITH DTM06-12S*-**** PLUG. (* = A,B,C,D KEYS; **** = ALL MODIFICATIONS)
 - 4 FOR CONTACT AND WIRE PERFORMANCE AND APPLICATION CHARACTERISTICS SEE ENVELOPE DRAWING 0425-015-0000.
 - 3. SECONDARY WEDGE LOCK SOLD SEPARATELY: WM-12P.
 - 2. DIMENSION TOLERANCE: ±.025 [.64].
 - 1. DIMENSIONS ARE IN INCHES [mm].
- NOTES: UNLESS OTHERWISE SPECIFIED

CONTACT SIZE	MIN. INSUL. O.D.	MAX. INSUL. O.D.	WIRE RANGE [mm ²] REF ONLY
20	.053 [1.35]	.120 [3.05]	16-20 AWG [1.0-0.5]

SIGNATURE & DATE	
DR	D. MEYER 02/12/04
CHK	J. Lim 2/18/04
PE	D. Meyer 2/18/04
APPD	R. Reed 2-19-04
SCALE	NONE
WT	

RECEPTACLE
12 CONTACTS, SIZE 20
A,B,C,D KEYS
DTM SERIES

ENVELOPE

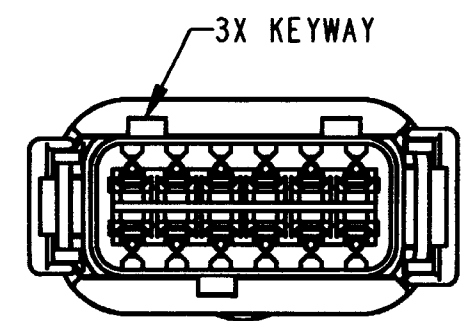
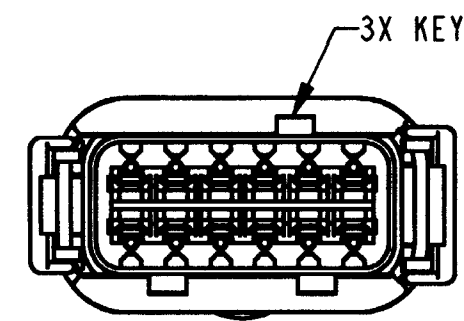
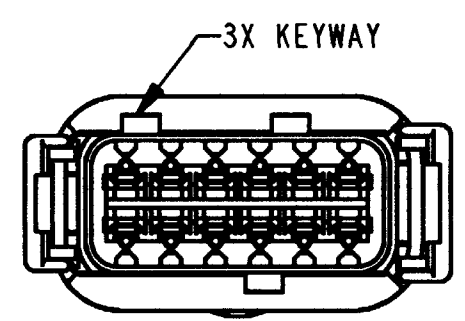
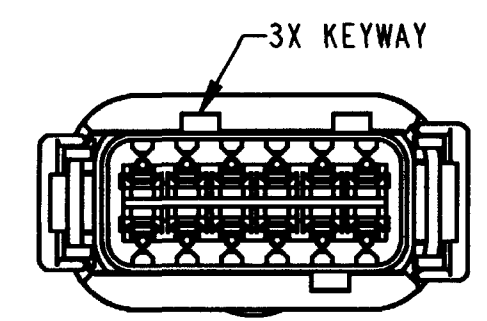
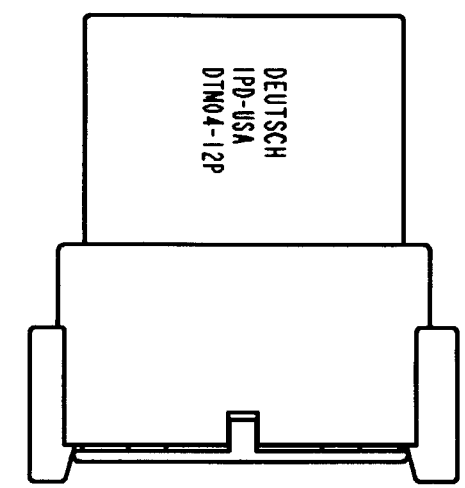
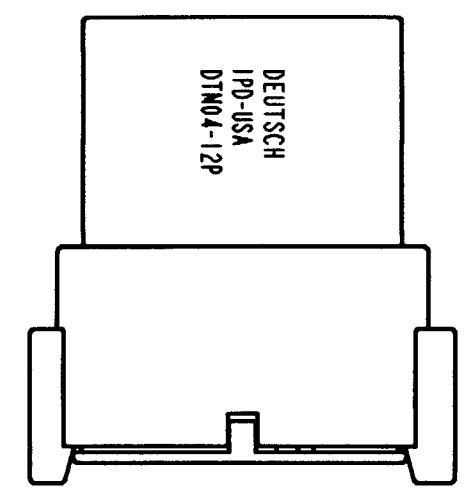
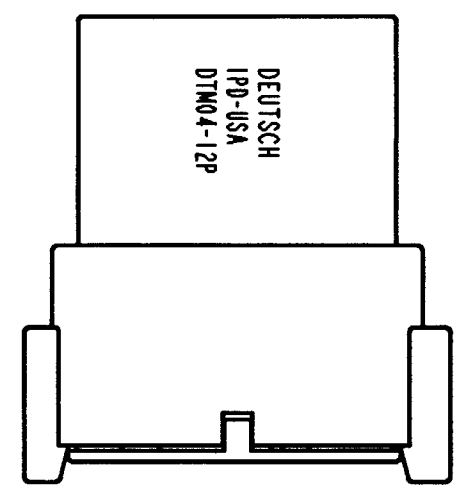
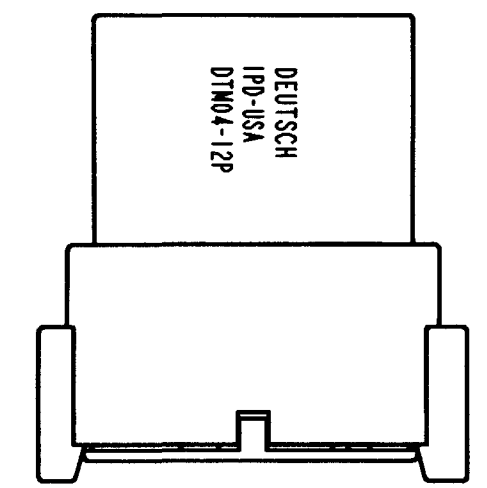
CP	MATL. CODE
The Deutsch Company DEUTSCH I.P.D. 3850 INDUSTRIAL AVE. HEMET, CALIF. 92545	
B	DTM04-12P*
DWG SIZE	CODE 11139 SHEET 1 OF 2

REV
NC

DTM04-12P*

REVISIONS

SYM	DESCRIPTION	DATE	APPROVED
	SEE SHEET 1	2-19-04	RDR



DTM04-12PA
KEY -A-
COLOR: GREY

DTM04-12PB
KEY -B-
COLOR: BLACK

DTM04-12PC
KEY -C-
COLOR: GREEN

DTM04-12PD
KEY -D-
COLOR: BROWN

NOTES:

	SIGNATURE & DATE
DR	D. MEYER 02/12/04
CHK	J. Lim 2/18/04
PE	D. Meyer 2/12/04
APPD	A. Reed 2-19-04
SCALE	NONE WT

RECEPTACLE
12 CONTACTS, SIZE 20
A, B, C, D KEYS
DTM SERIES

ENVELOPE

CP	MATL. CODE
The Deutsch Company DEUTSCH I.P.D. 3850 INDUSTRIAL AVE. HEMET, CALIF. 92545	
B	DTM04-12P*
DWG SIZE	CODE 11139 SHEET 2 OF 2